

Cabin HOSPITAIR® - 15 bar

Lubricated screw technology



Outdoor cabin

- Also available in 11 bar configuration
- Medicinal air plants with lubricated screw compressors
- Cabin for outdoor installation
- Fit to EN ISO 7396-1 standard and HTM BS
- Air treatment system with 2 adsorption air dryers SEC 7HC type
- Air quality complying with European pharmacopoeia
- Receiver(s) installed inside the cabin
- Integrated network alarm
- Simplified setting and ready-to-run plants



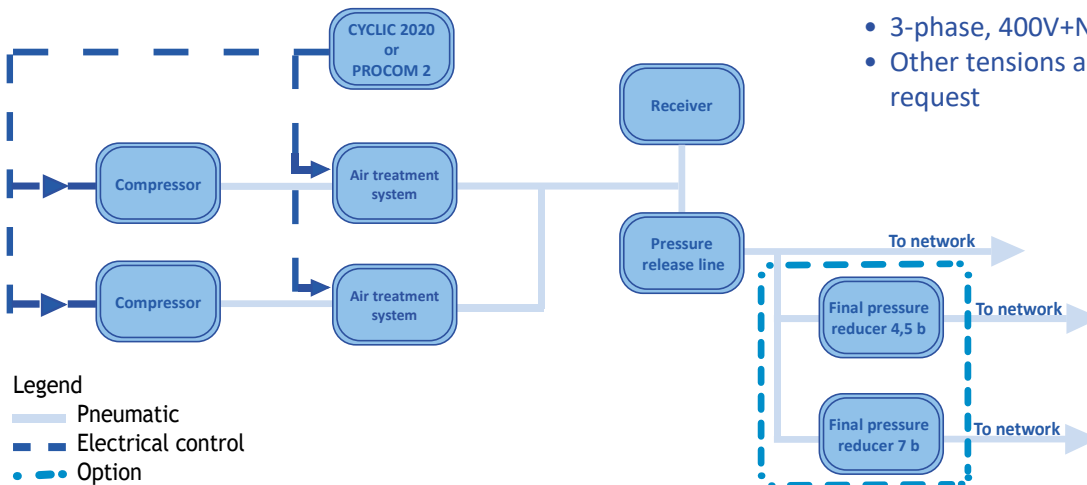
Cabin made of composites panels

Characteristics

HOSPITAIR® C 15 bar	Power kW 50/ 60 Hz	Flow rate* m ³ .h ⁻¹		Air dryer type	Receiver - l		Noise level dB(A)**
		at 50 Hz	at 60 Hz		1 line	2 lines	
MVX4	4	22	22	AD5035	500	2 x 500	57
MVX5	5,5	32	32	AD5035	500	2 x 500	57
MVA9	7,5	50	50	AD5065	500	2 x 500	58
MVB12	11	78	78	AD5065	500	2 x 500	58
MVB16	15	102	106	AD5130	500	2 x 500	62
MVC19	18,5	150	144	AD5195	500	2 x 500	62
MVC23	22	174	170	AD5195	500	2 x 500	63

* Compressor flow rate further to ISO 1217 : 1996 - C Annex / ** Noise level further to PN8 NTC 2.3, measured one meter away in free area

Process sequence (ex : duplex plant)



Power supply

- 3-phase, 400V+N+E / 50Hz (standard)
- Other tensions and frequencies on request



Range complying with 93/42/CEE directive



Range complying with 97/23/CE directive

Available set-up

	1 production assembly	2 production assemblies
PROCOM 2	■	■
CYCLIC 2020	■	■
Single pressure release line	■	◆
Duplex parallel pressure release line	◆	■
Hygrometer	■	■
Network alarm	■	■
Oil-water separator	■	■
CO monitoring	◆	◆

■ Standard equipment ◆ Optional equipment

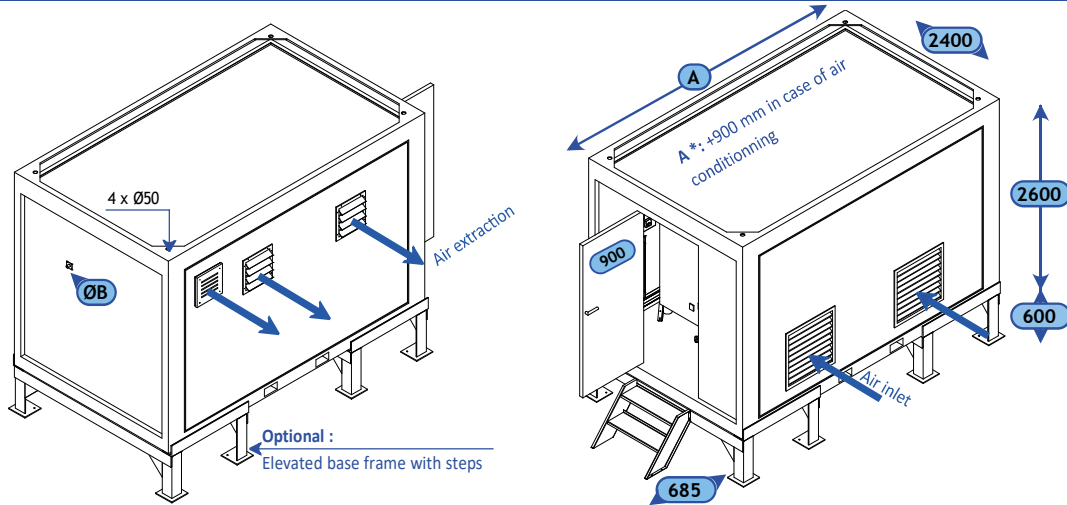


Medicinal air plants

Lubricated screw compressor



Dimensions (mm)



	HOSPITAIR C with 1 compressor			HOSPITAIR C with 2 compressors		
	A*	Ø B	Weight kg	A*	Ø B	Weight kg
MVX4	2200	1/2"	1050	3500	3/4"	1800
MVX5	2200	1/2"	1070	3500	3/4"	1880
MVA9	2200	1/2"	1100	4000	3/4"	2010
MVB12	2500	1/2"	1300	4000	3/4"	2300
MVB16	2500	3/4"	1600	4000	3/4"	2600
MVC19	2700	3/4"	1670	4300	3/4"	2750
MVC23	3000	3/4"	1950	4300	3/4"	3290

Plant references

HOSPITAIR® CABIN 15 bar			MVX4	MVX5	MVA9	MVB12	MVB16	MVC19	MVC23
Hospitair C1	Cyclic 2020	1 compressor	921003	921004	924922	921006	921007	921008	921009
Hospitair C2	Cyclic 2020	2 compressors	921017	921018	924923	923515	923516	921022	921023
Hospitair C2	Cyclic 2020	2 compressors + air conditioning	922347	922348	924924	922350	922351	922352	922353
Hospitair C1	Procom 2	1 compressor	924303	924304	924925	924306	924307	924308	924309
Hospitair C2	Procom 2	2 compressors	921010	921011	924926	923514	921014	921015	921016
Hospitair C2	Procom 2	2 compressors + air conditioning	924258	924259	924927	924261	924262	924263	924264

SEC 7HC

Air treatment device included

CY10-PF36-SUB36
AD5035/CHA36

CY20-PF72-SUB72
AD5065/CHA72

CY20-PF109-SUB109
AD5130/CHA109

CY30-PF/
SUB217
AD5195-
CHA217

PRESSURE RELEASE

cabin with 1 compressor

DP36S

DP72S

DP109S

DP36S

LINE

cabin with 2 compressors

DP72DP

DP144DP

DP218DP

OIL-WATER SEPARATOR integrated

OWAMAT 10

OWAMAT 11

OWAMAT 12

Accessories and option references

	MVX4	MVX5	MVA9	MVB12	MVB16	MVC19	MVC23	
ELEVATED BASE FRAME	621410							
with steps	cabin with 1 compressor			cabin with 2 compressors				
Report Status with CYCLIC 2020 *	621410			621411				
Report Status with PROCOM 2 *	12 first alarms			614079		12 following alarms		622463
CO monitoring	CYCLIC 2020			724915		PROCOM 2		724912

* Do not forget to order electrical cord 615892 x 3 (see p 83)

Specifications are subject to be changed without notice