

High performance oil-less vacuum pumps



Contactless Technology

-  ROBUST NO WEAR
-  RELIABLE
-  COST EFFECTIVE

LOW NOISE LEVEL

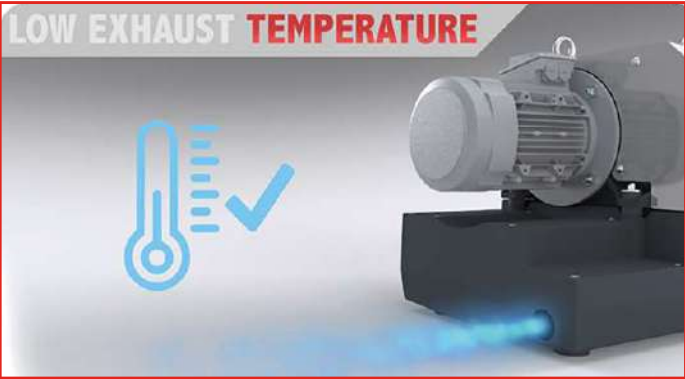
INNOVATION 1

SIRELLA.R oil less claw vacuum pump is a contactless technology designed to insure a very low noise level.
Corrosion resistant claws and chamber



INNOVATION 2

The SIRELLA.R has the best efficiency in the market which brings energy cost saving for the end users



INNOVATION 3

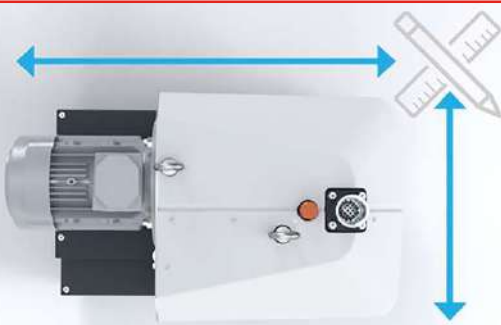
The exhaust temperature is lower than other similar pumps

INNOVATION 4

Access to the claws is easy in order to clean them in case of pollution



COMPACT SIZE



INNOVATION 5

The SIRELLA.R has been studied to simplify the pump replacement due to its compact dimensions



SIRELLA.RS

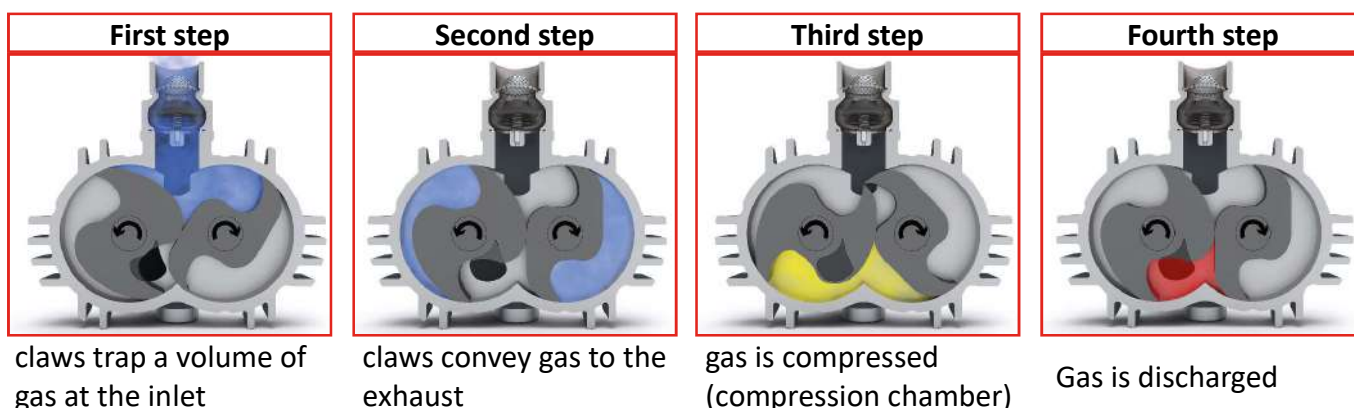
Compatible with VFC variable frequency converter for electricity cost saving
Operation from 25 Hz to 70 Hz
Built-in or separate VFC into electrical board for central vacuum systems

SIRELLA SL100.R



- Contactless technology
- Low noise level
- High efficiency
- Low exhaust temperature
- Easy access and low maintenance
- Compact size
- PT100 temperature sensor included

Working principle



Technical characteristics

Sirella SL100.R	50 Hz	60 Hz
Pneurop pumping speed ⁽¹⁾ m ³ .h ⁻¹ - cfm	90 - 53	108 - 63,6
End vacuum mbar - torr	60 - 45	60 - 45
Continuous end vacuum mbar - torr	60 - 45	60 - 45
Gear box oil capacity MB150S 100 % synthetic l - qt	0,7 - 0,74	0,7 - 0,74
Noise level dB(A)	69	71

⁽¹⁾ Measurements according to PNEUROP 6602 specifications - 20°C

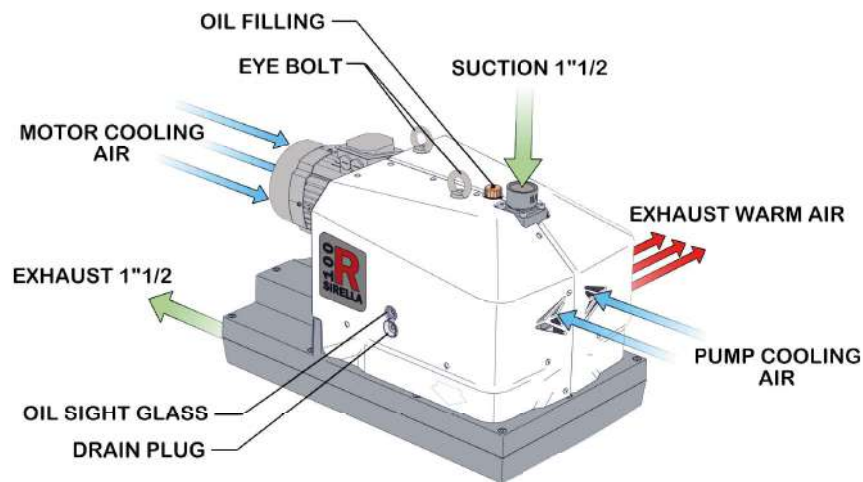
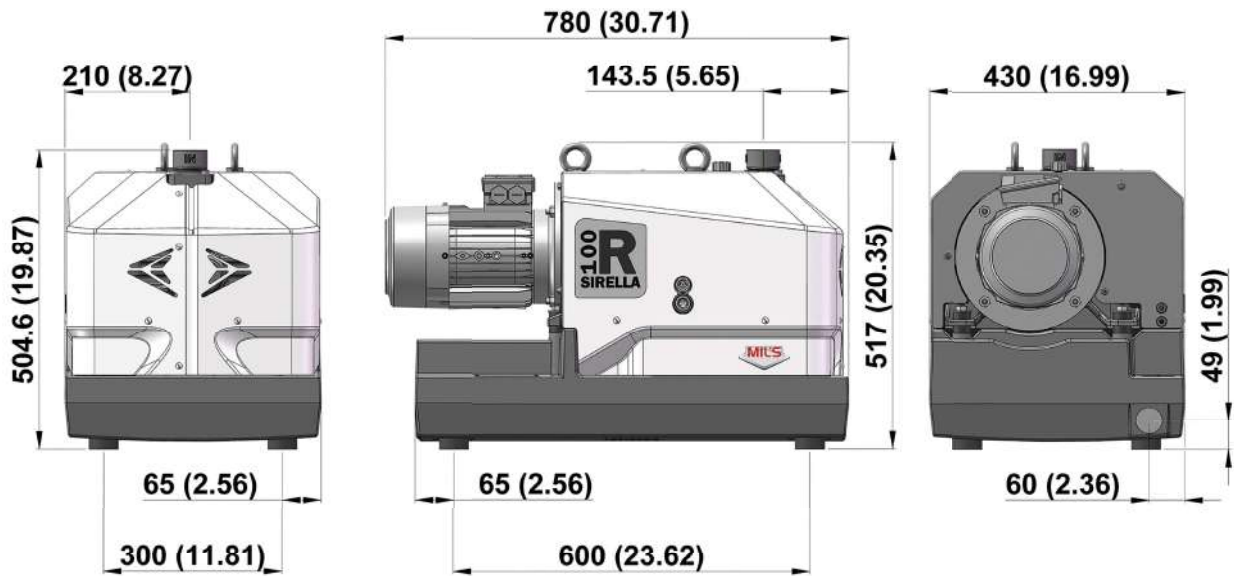
Versions

GEOGRAPHIC ZONE	EUROPE	ASIA MIDDLE-EAST	SOUTH AMERICA	USA	JAPAN
Number of phases	3	3	3	3	3
Voltage V	230 / 400	220 / 380	190 / 380	208-230 / 460	200 / 380
Electrical motor					
Period Hz	50	60	50	60	50 / 60
Motor power	2,20 kW	2,64 kW	2,20 kW	3,5 HP	2,20 / 2,64 kW
Rotation speed min ⁻¹	3000	3600	3000	3600	3000/3600
Inlet connection ⁽²⁾	1"1/2 BSP	1"1/2 BSP	1"1/2 NPT	1"1/2 NPT	1"1/2 BSP
Outlet connection ⁽²⁾	1" 1/2 BSP	1"1/2 BSP	1"1/2 NPT	1"1/2 NPT	1"1/2 BSP
Weight with oil kg - lb	170 - 375	174 - 384	174 - 384	174 - 384	174 - 384

Specifications are subject to be changed without notice.

Oil-less claw vacuum pumps

Dimensions mm (inch)



References

	Sirella SL100.R
EUROPE 3ph, 230/400V-50Hz	824410
ASIA / MIDDLE EAST 3ph, 220/380V-60Hz	824427
SOUTH AMERICA / USA 3ph, 208-230/460V-60Hz	824418



Maintenance kits

Gear box oil MB150S

1 liter can
619626

Accessories and Options

		SL100.R
Constant vacuum solenoid valve - electronic control of the end vacuum		625547
1	Adjusting valve fitted on T-square (without filter)	723341
	Paper cartridge	625570
2	Fitted suction filter type 126	625571
	Polyester cartridge	625571
	Carbon cartridge	625572
Vacuum gauge fitted on filter		617536
Suction hose (l : 1500 mm)		625573
Direct starter (wall mounting)	Without regulation contact	3ph, 400V- 50HZ 770497
		3ph, 230V- 50HZ 770498
	With regulation contact LG7	3ph, 400V- 50HZ 710424
		3ph, 230V- 50HZ 710432

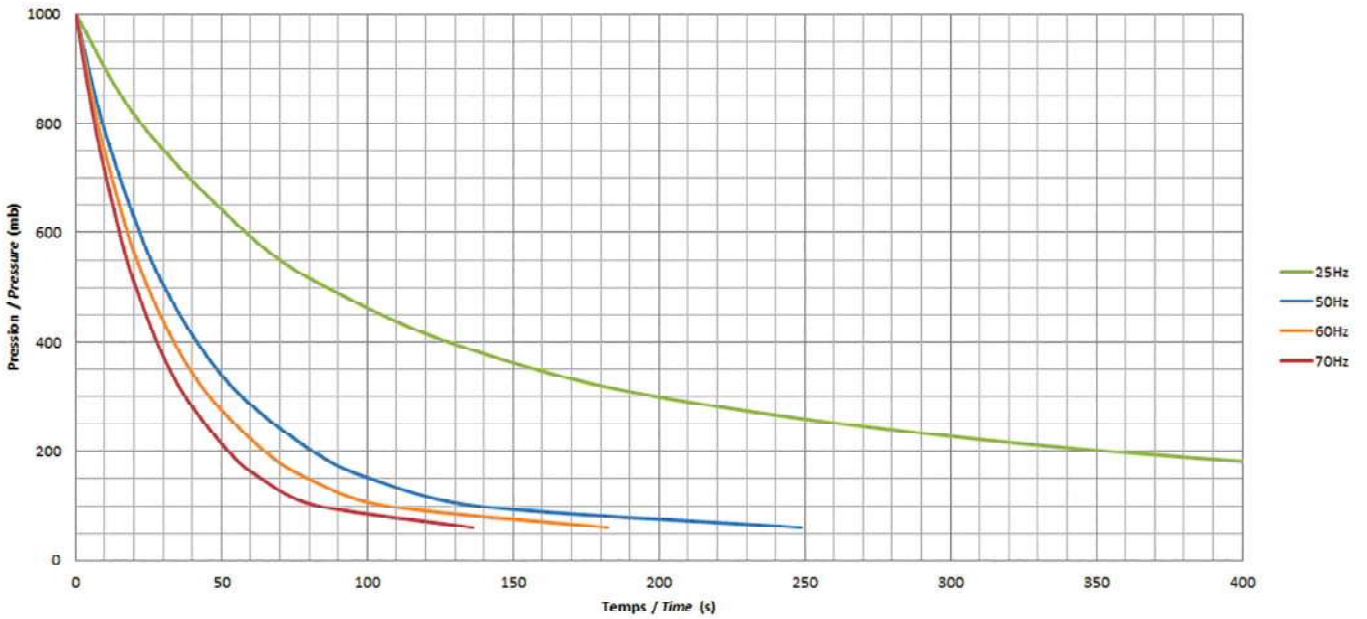


1 Adjusting valve fitted on T-square

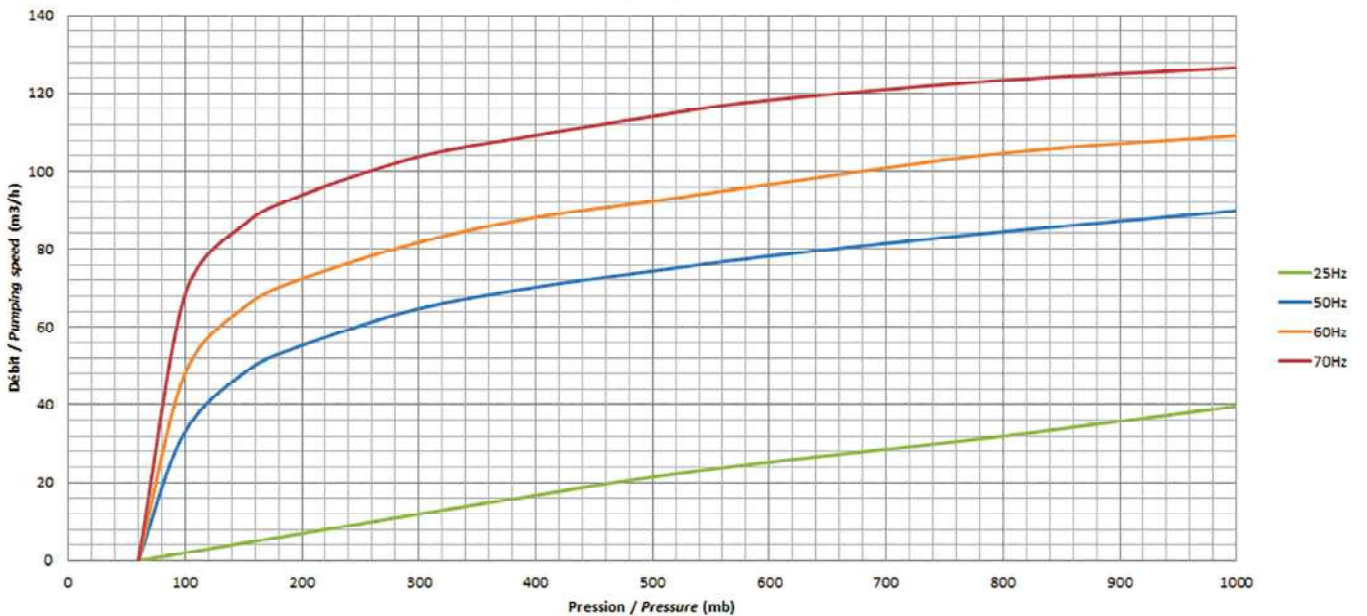


2 suction filter type 126

Pumping speed on 1000 l vessel



Performance curves

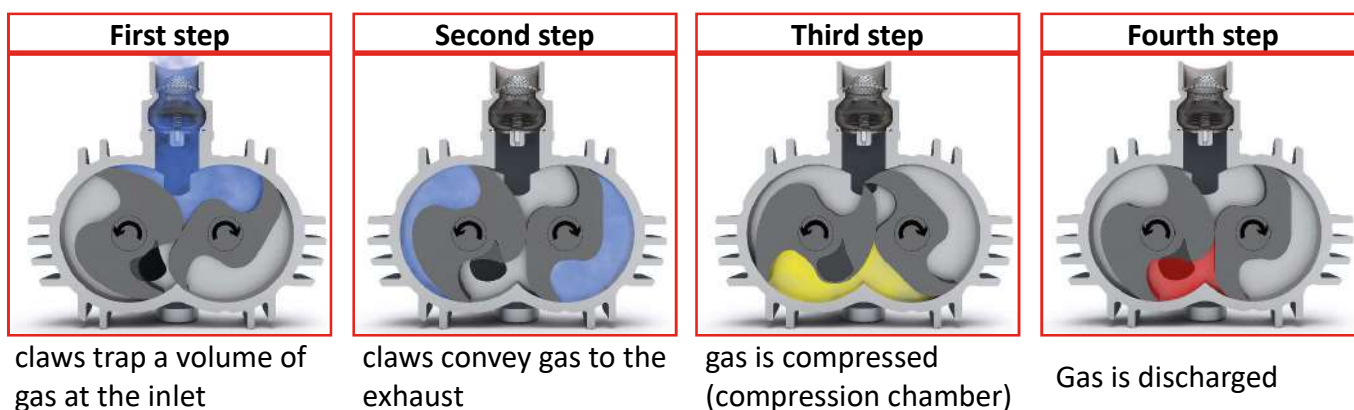


SIRELLA SL150.R



- Contactless technology
- Low noise level
- High efficiency
- Low exhaust temperature
- Easy access and low maintenance
- Compact size
- PT100 temperature sensor included

Working principle



Technical characteristics

Sirella SL150.R	50 Hz	60 Hz
Pneurop pumping speed ⁽¹⁾ m ³ .h ⁻¹ - cfm	140 - 82,4	164 - 96,5
End vacuum mbar - torr	50 - 37,5	50 - 37,5
Continuous end vacuum mbar - torr	150 - 112,5	150 - 112,5
Gear box oil capacity MB150S 100 % synthetic l - qt	0,7 - 0,74	0,7 - 0,74
Noise level dB(A)	69	71

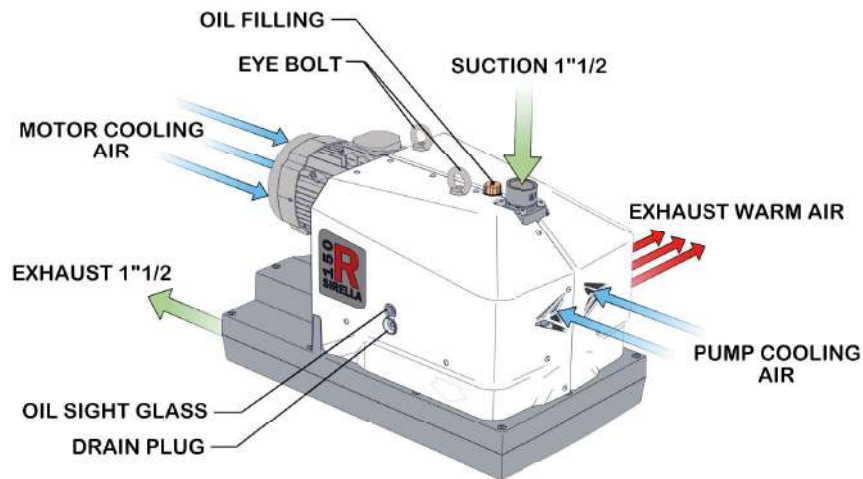
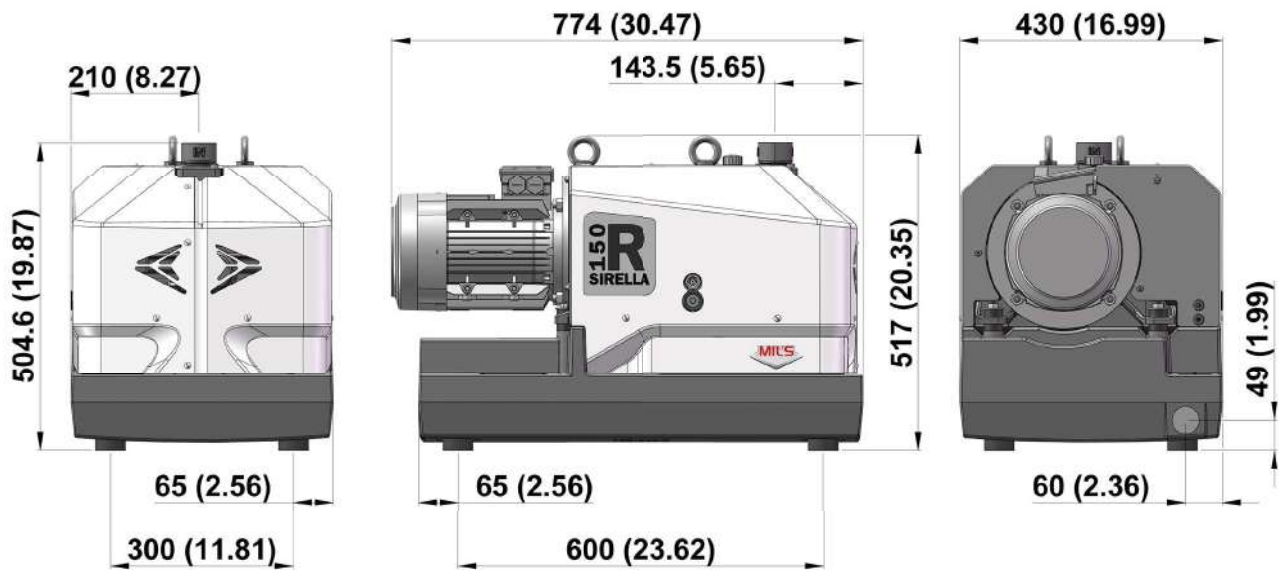
⁽¹⁾ Measurements according to PNEUROP 6602 specifications - 20°C

Versions

GEOGRAPHIC ZONE	EUROPE	ASIA MIDDLE-EAST	SOUTH AMERICA	USA	JAPAN
Number of phases	3	3	3	3	3
Voltage V	230 / 400	220 / 380	190 / 380	208-230 / 460	200 / 380
Electrical motor					
Period Hz	50	60	50	60	50 / 60
Motor power	3 kW	3,60 kW	3 kW	5 HP	3 / 3,60 kW
Rotation speed min⁻¹	3000	3600	3000	3600	3000/3600
Inlet connection	1"1/2 BSP	1"1/2 BSP	1"1/2 NPT	1"1/2 NPT	1"1/2 BSP
Outlet connection	1" 1/2 BSP	1"1/2 BSP	1"1/2 NPT	1"1/2 NPT	1"1/2 BSP
Weight with oil kg - lb	180 - 397	190 - 419	190 - 419	190 - 419	190 - 419

Oil-less claw vacuum pumps

Dimensions mm (inch)



References

	Sirella SL150.R
EUROPE 3ph, 230/400V-50Hz	824411
ASIA / MIDDLE EAST 3ph, 220/380V-60Hz	824428
SOUTH AMERICA / USA 3ph, 208-230/460V-60Hz	824419



Maintenance kits

Gear box oil MB150S

1 liter can
619626

Accessories and Options

		SL150.R	
Constant vacuum solenoid valve - electronic control of the end vacuum		625547	
1	Adjusting valve fitted on T-square (without filter)	723341	
	Paper cartridge	619891	
2	Fitted suction filter type 201	619892	
	Polyester cartridge	619892	
	Carbon cartridge	619893	
Vacuum gauge fitted on filter		617536	
Suction hose (l : 1500 mm)		625574	
Direct starter (wall mounting)	Without regulation contact	3ph, 400V- 50HZ	770498
		3ph, 230V- 50HZ	770499
	With regulation contact LG7	3ph, 400V- 50HZ	710425
		3ph, 230V- 50HZ	710433

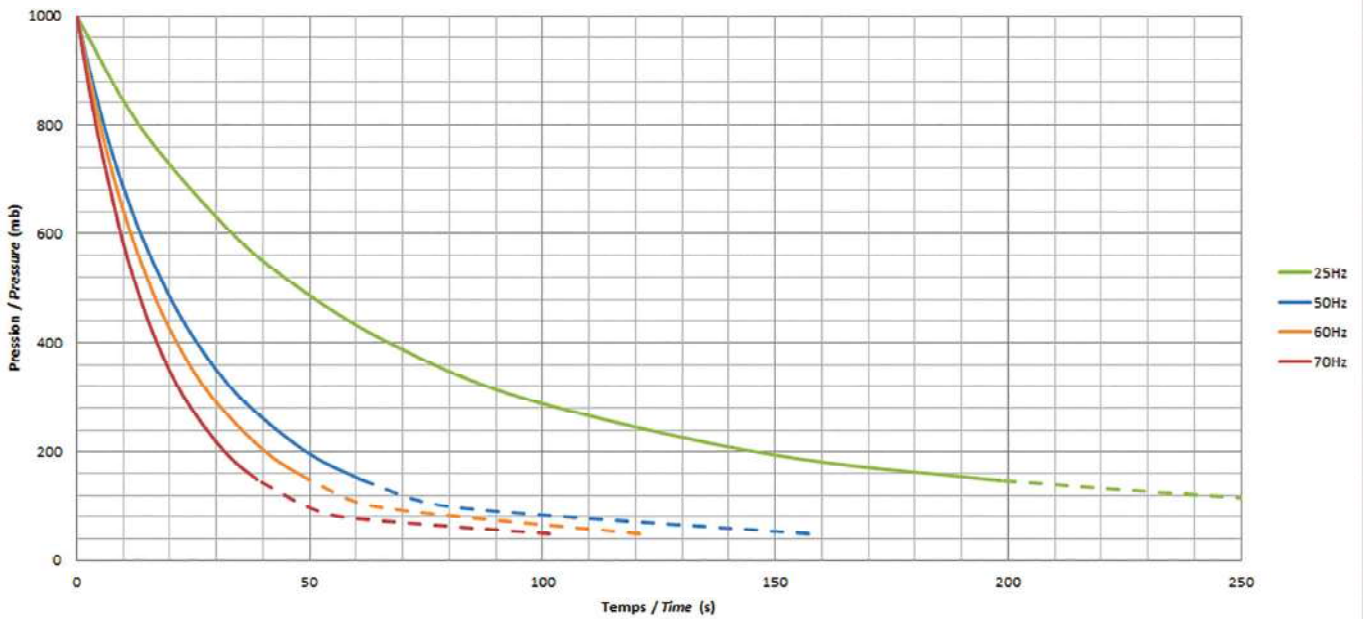


1 Adjusting valve fitted on T-square

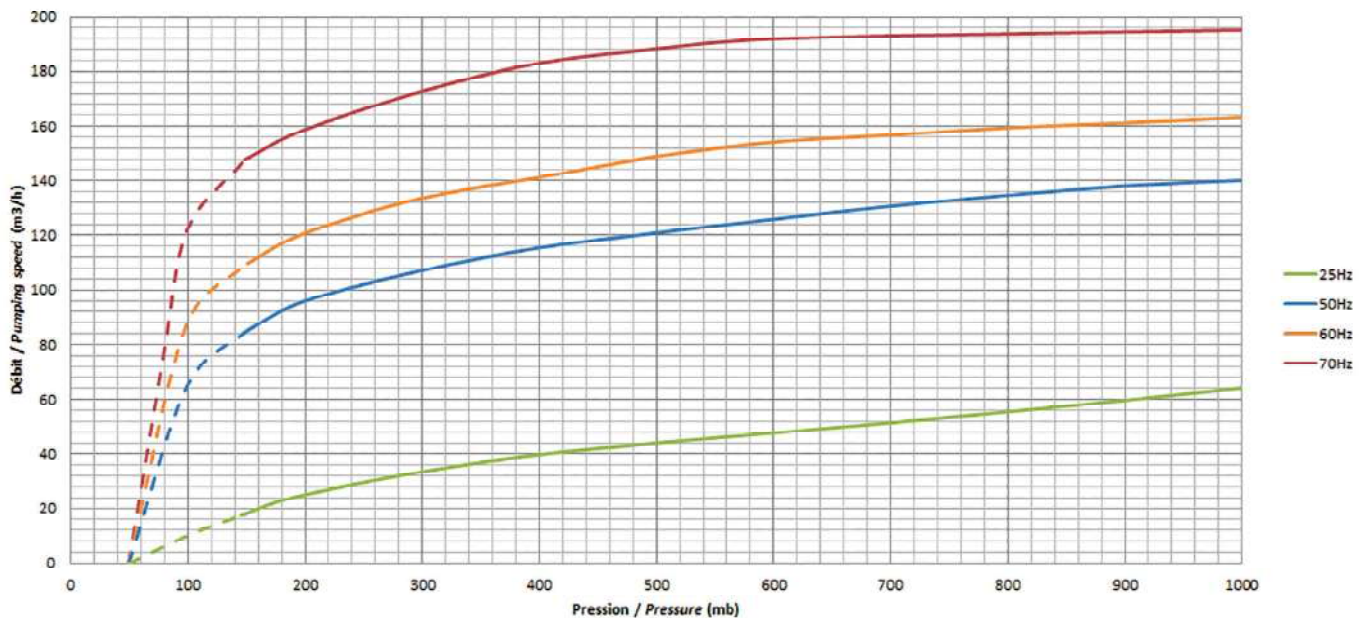


2 suction filter type 201

Pumping speed on 1000 l vessel



Performance curves

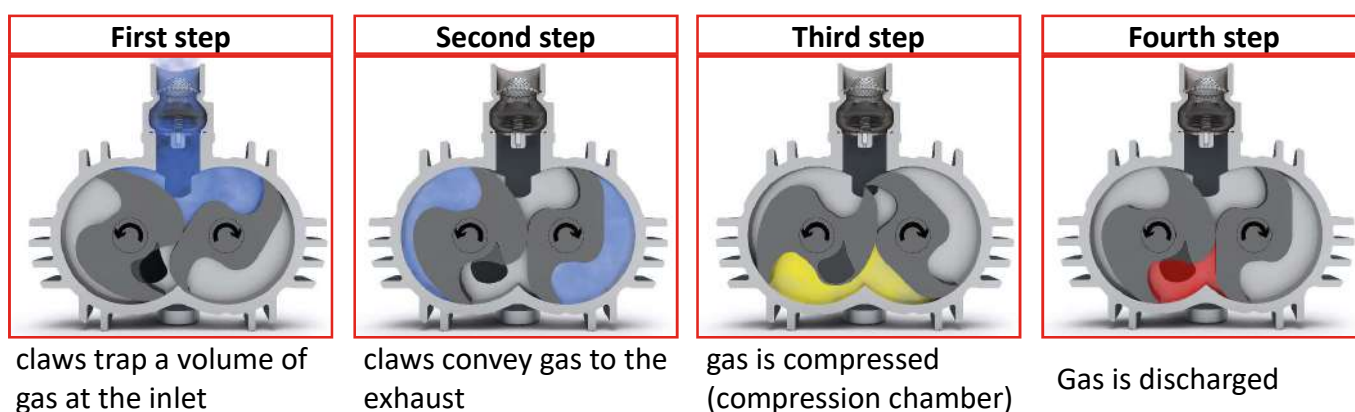


SIRELLA SL300.R



- Contactless technology
- Low noise level
- High efficiency
- Low exhaust temperature
- Easy access and low maintenance
- Compact size
- PT100 temperature sensor included

Working principle



Technical characteristics

Sirella SL300.R	50 Hz	60 Hz
Pneurop pumping speed ⁽¹⁾ m ³ .h ⁻¹ - cfm	260 - 153	312 - 183.6
End vacuum mbar - torr	50 - 37,5	50 - 37,5
Continuous end vacuum mbar - torr	150 - 112,5	150 - 112,5
Gear box oil capacity MB150S 100 % synthetic l - qt	1 - 1,06	1 - 1,06
Noise level dB(A)	70	72

⁽¹⁾ Measurements according to PNEUROP 6602 specifications - 20°C

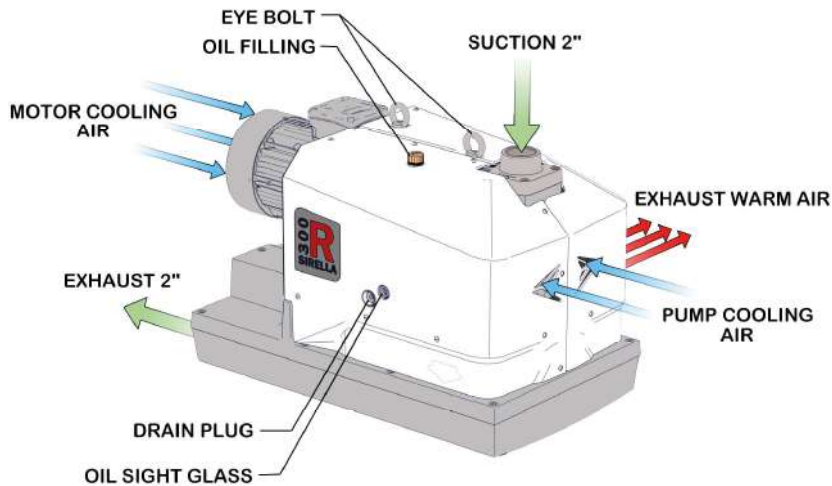
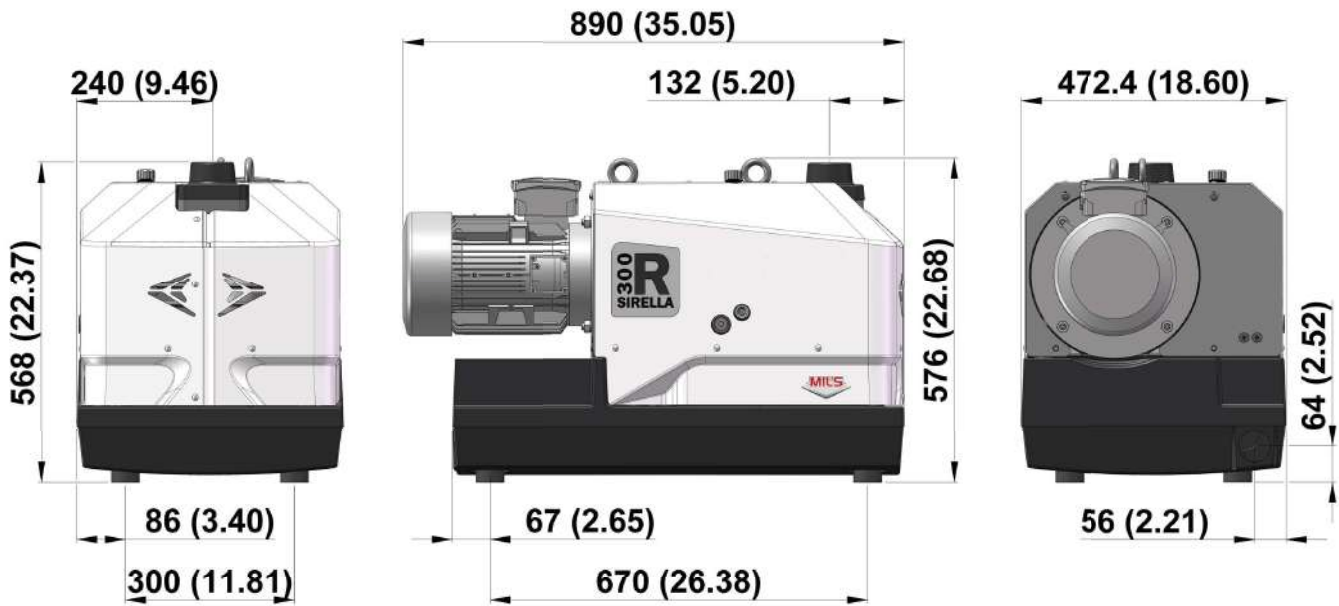
Versions

GEOGRAPHIC ZONE	EUROPE	ASIA MIDDLE-EAST	SOUTH AMERICA	USA	JAPAN	
Number of phases	3	3	3	3	3	
Voltage V	230 / 400	220 / 380	190 / 380	208-230 / 460	200 / 380	
Electrical motor	Period Hz	50	60	60	50 / 60	
	Motor power	5,5 kW	6,6 kW	5,5 kW	9 HP	5,5 / 6,6 kW
	Rotation speed min⁻¹	3000	3600	3000	3600	3000/3600
	Inlet connection	2" BSP	2" BSP	2" NPT	2" NPT	2" BSP
Outlet connection	2" BSP	2" BSP	2" NPT	2" NPT	2" BSP	
Weight with oil kg - lb	300 - 662	315 - 695	315 - 695	315 - 695	315 - 695	

Specifications are subject to be changed without notice.

Oil-less claw vacuum pumps

Dimensions mm (inch)



References

	Sirella SL300.R
EUROPE 3ph, 230/400V-50Hz	824412
ASIA / MIDDLE EAST 3ph, 220/380V-60Hz	824429
SOUTH AMERICA / USA 3ph, 208-230/460V-60Hz	824420



Maintenance kits

Gear box oil MB150S

1 liter can
619626

Accessories and Options

		SL300.R	
Constant vacuum solenoid valve - electronic control of the end vacuum		625548	
1	Adjusting valve fitted on T-square (without filter)	713842	
	Paper cartridge	715350	
2	Fitted suction filter type 201	715351	
	Polyester cartridge	715351	
	Carbon cartridge	715352	
Vacuum gauge fitted on filter		617536	
Suction hose (l : 1500 mm)		625575	
Direct starter (wall mounting)	Without regulation contact	3ph, 400V- 50HZ	770499
		3ph, 230V- 50HZ	770500
	With regulation contact LG7	3ph, 400V- 50HZ	710426
		3ph, 230V- 50HZ	710434

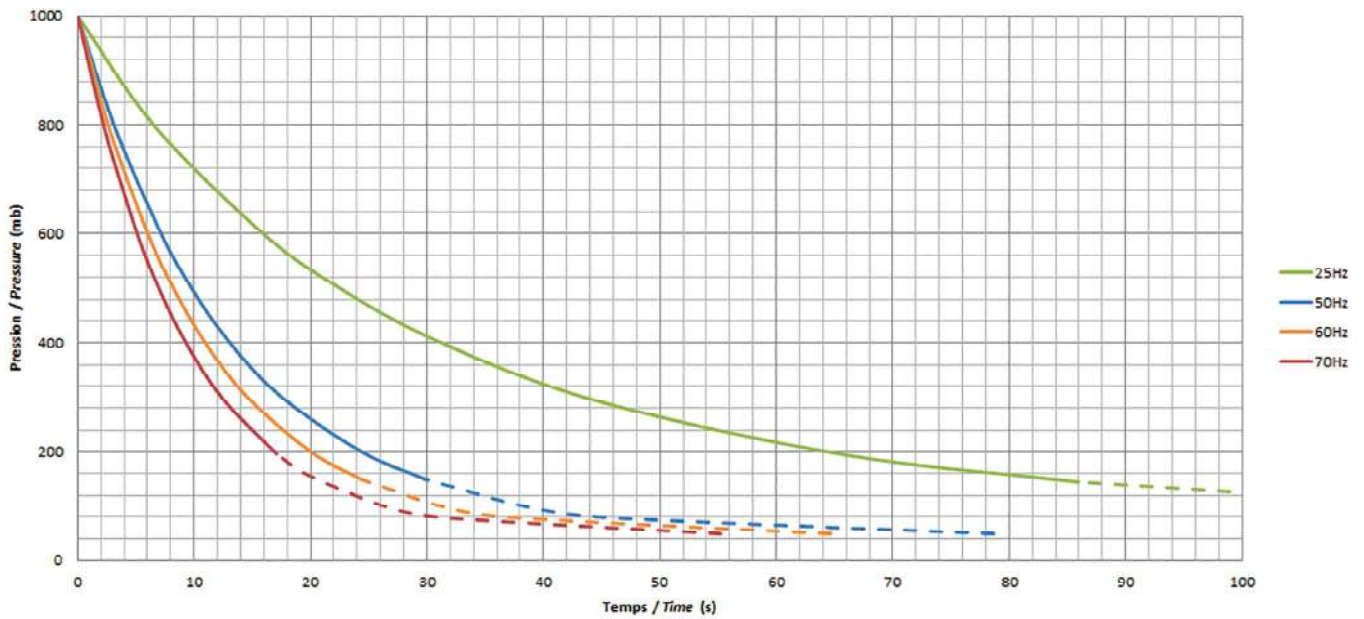


1 Adjusting valve fitted on T-square

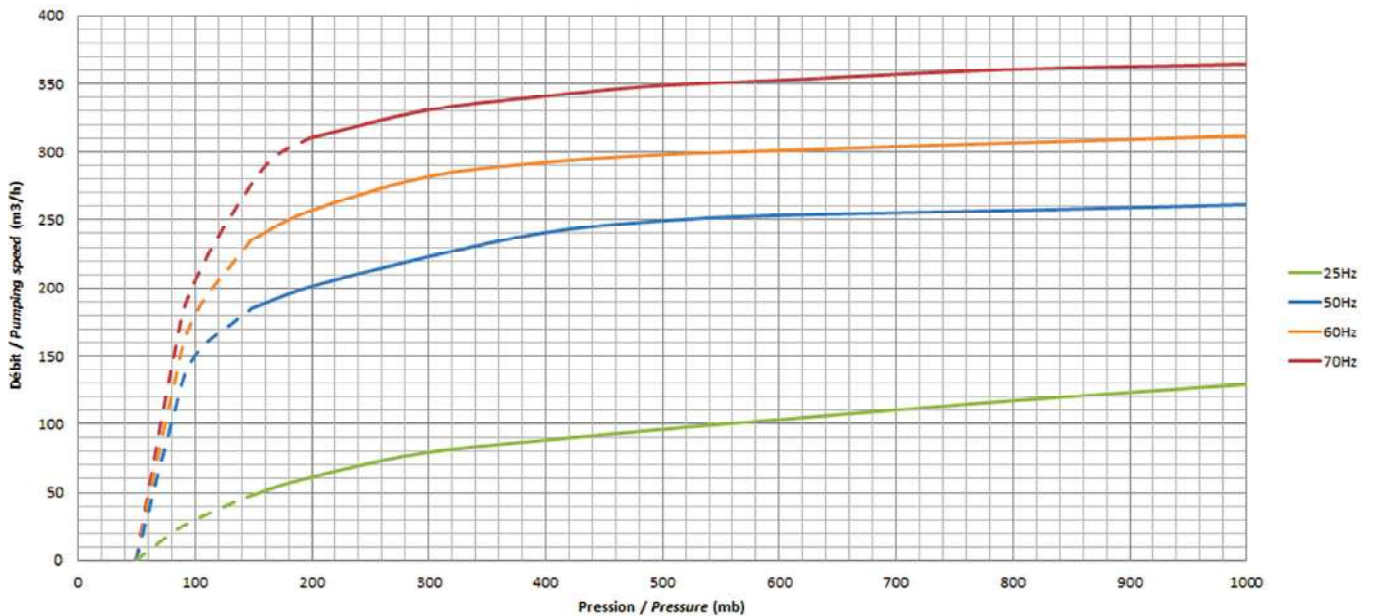


2 suction filter type 201

Pumping speed on 1000 l vessel



Performance curves





Compatible with VFC variable frequency converter for electricity cost saving
 Operation from 25 Hz to 70 Hz
 Built-in or separate VFC into electrical board for central vacuum systems

- Contactless technology
- Low noise level, compact size and high efficiency
- Low exhaust temperature
- Easy access and low maintenance
- PT100 temperature sensor



Technical characteristics

Sirella RS	SL100.RS	SL150.RS	SL300.RS
Pneurop pumping speed ⁽¹⁾ m ³ .h ⁻¹ - cfm	40 to 126 - 23 to 74	64 to 195 - 37 to 115	129 to 312 - 76 to 184
End vacuum mbar - torr	60 - 45	50 - 37,5	50 - 37,5
Continuous end vacuum mbar - torr	150 - 112,5	150 - 112,5	150 - 112,5
Gear oil capacity MB150S 100 % synthetic l - qt	0,7 - 0,74	0,7 - 0,74	0,7 - 0,74
Noise level dB(A)	72	72	72

⁽¹⁾ Measurements according to PNEUROP 6602 specifications - 20°C

Versions

SIRELLA	SL100.RS	SL150.RS	SL300.RS
Number of phases	3	3	3
Voltage V	380 to 480	380 to 480	380 to 480
Period Hz (*)	45 to 66	45 to 66	45 to 66
Max motor power	3.5 kW	4.5 kW	6.6 kW
Rotation speed min ⁻¹	1500 to 4200	1500 to 4200	1500 to 3600
Inlet connection	1"1/2 BSP or NPT	1"1/2 BSP or NPT	2" BSP or NPT
Outlet connection	1"1/2 BSP or NPT	1"1/2 BSP or NPT	2" BSP or NPT
Weight with oil kg - lb	177 - 390	200 - 441	316 - 697

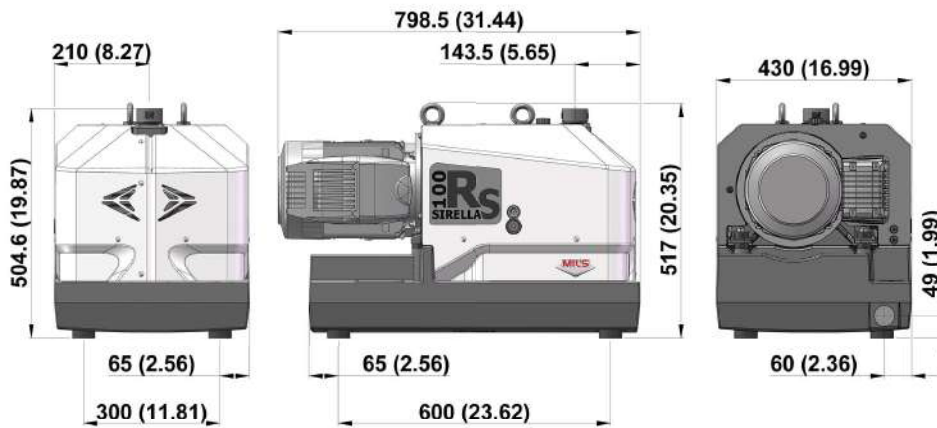
(*) Admissible frequency for power supply of the VFC

Specifications are subject to be changed without notice.

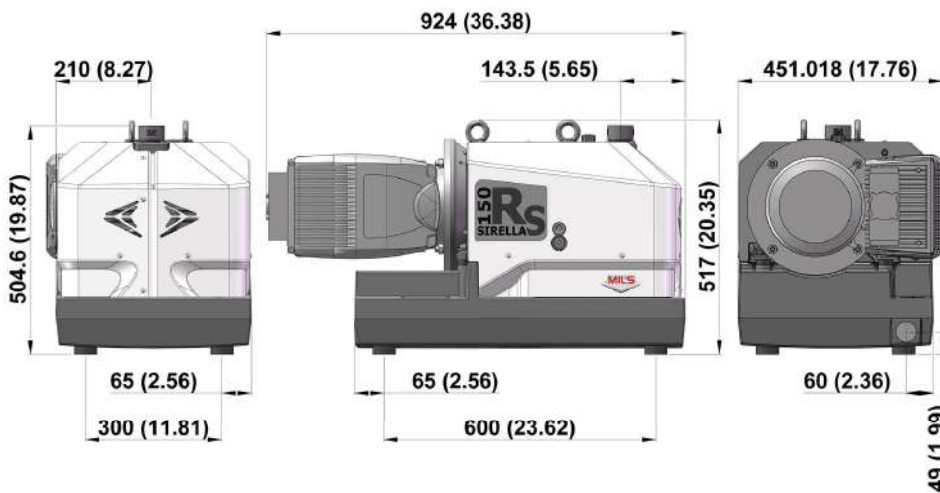
Oil-less claw vacuum pumps

Dimensions mm (inch)

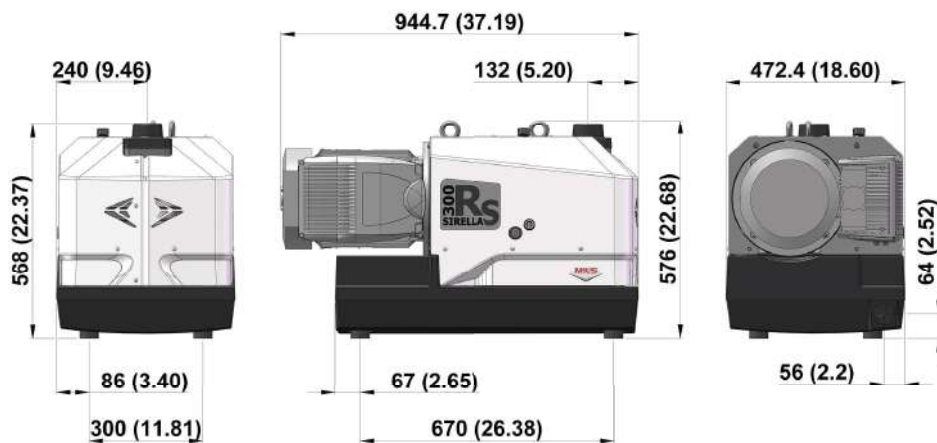
SL100.RS



SL150.RS



SL300.RS



References

	SL100.RS	SL150.RS	SL300.RS
BSP CONNECTIONS	824413	824414	824415
NPT CONNECTIONS	824430	824431	824432